

SELF-LOCKING CUBE JACKS



The Self-Locking Cube Jack is a safer, more efficient alternative to the jack-and-pack method with wooden cribbing. It features a small footprint conducive to confined spaces and provides a stable lift to nearly 10 feet. It's simplified operation sequence has 50% less cycles than climbing jacks which enables more efficient job completion. The Self-Locking Cube Jack automatically locks after the lifting or lowering stroke. The Self-Locking Cube Jack automatically locks after the lifting or lowering stroke.

Self-aligning steel cribbing blocks save time, improve side load, and eliminate the need for wooden cribbing materials. The cribbing blocks are lightweight and can be handled manually. Engineered Rigging's Self-Locking Cube Jacks include an end block with an adjustable swivel saddle which allows fine adjustment during set-up: 1.97-inch screw extension.



844.474.4448

Info@EngineeredRigging.com

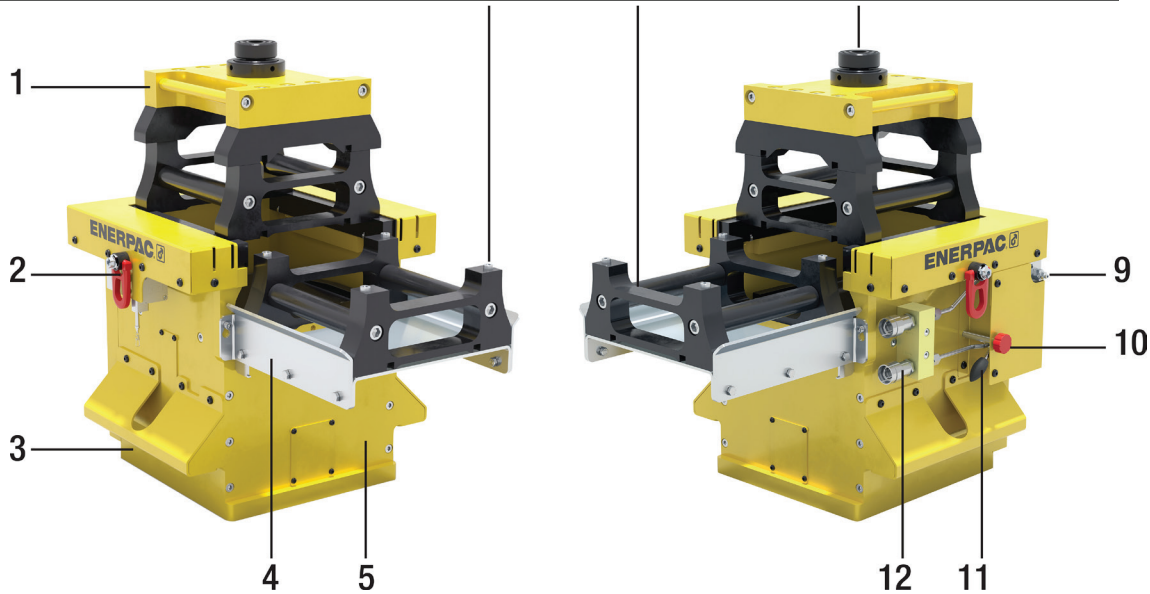
www.EngineeredRigging.com

ENGINEERED RIGGING

SELF-LOCKING CUBE JACKS



LIFTING CAPACITY PER BASE UNIT	MODEL NUMBER	RETRACTABLE HEIGHT	MAXIMUM SIDELOAD AT FULL EXTENSION
56 tons	SCJ-50	81.4"	1.5%
110 tons	SCJ-100	118.3"	1.5%



- | | |
|----------------------------------|------------------------------|
| 1. End block with tilting saddle | 7. Steel cribbing blocks |
| 2. Eye-bolts for hoisting | 8. Adjustable tilting saddle |
| 3. Forklift tabs | 9. Flow control |
| 4. Removable insert table | 10. Mode locking pin |
| 5. Base frame | 11. Mode selector lever |
| 6. Locating pins | 12. Hydraulic connections |

844.474.4448

Info@EngineeredRigging.com

www.EngineeredRigging.com